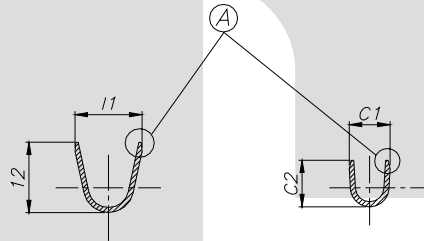
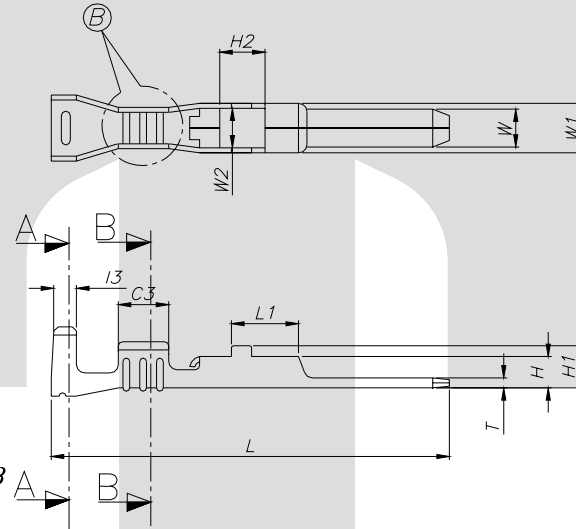


TERMINAL TO TERMINAL (MALE WITH FEMALE)		
DESCRIPTION	AT 1ST INSERTION	AT 10TH WITHDRAWAL
PUSH LOAD MAX.	N A	
PULL LOAD MIN.		N A
MAX. MV. DROP AT	10 MV.	
MAX. MV. DROP AT		15 MV.

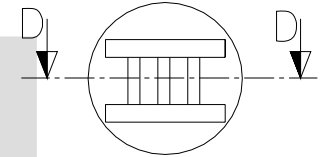
DIMENSION CLASSIFICATION	
SYMBOL	DESCRIPTION
▲	CRITICAL



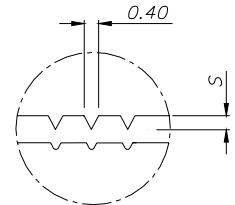
SECTION A-A



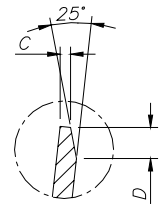
SECTION B-B



DETAIL B



SECTION D-D



DETAIL A

CAT NO.	L	L1	T	H	H1	H2	W	W1	W2	C1	C2	C3	I1	I2	I3	C	S	D	H3	W3	P
TOLERANCE	+0.3 -0.3	+0.1 -0.1	+0.05 -0.05	+0.1 -0.1	+0.2 -0.2	+0.2 -0.2	+0.1 -0.1	+0.1 -0.1	+0.2 -0.2	+0.2 -0.2	+0.3 -0.3	+0.1 -0.1	+0.2 -0.2	+0.3 -0.3	+0.1 -0.1	+0.05 -0.05	+0.02 -0.02	+0.3 -0.3	+0.2 -0.2	+0.2 -0.2	+0.05 -0.05
TT-1478	23.8	3.50	0.60	2.00	2.60	2.80	2.25	3.00	2.30	2.70	2.90	3.00	4.80	4.10	1.40	0.15	0.07	0.50	28.0	2.80	12.0

CONTROLLED COPY  
TTPL

NOTE:-

MATERIAL	70/30 BRASS
FINISH	NATURAL
THICKNESS	0.30±0.02
HARDNESS IN VPV	115 - 135

TT-1478

TERMINAL PITCH 12.0 <sup>+0.05</sup>/<sub>-0.05</sub>

PLATING THICKNESS:- 1.50 MICRON MIN. IN CASE OF PLATING  
 TERMINAL INSERTION FORCE INTO COUPLER :- 1.50 KG. MAX.  
 TERMINAL WITHDRAWAL FORCE INTO COUPLER :- 6.00 KG. MIN.

R01	P	P(11.0+/-0.05)	P(12.0+/-0.05)	27-05-07	venu	SAMPADA	196
REV. NO.	AL. NO.	WAS	CHANGED TO	DATE	NAME	CHD. BY.	ECN. NO.
GEN TOL.	CAT NO.	TAB SIZE	CABLE SIZE	ALL DIMENSIONS ARE IN MM			
0-10	±0.10	TT-1478	-	0.5-1.5mm <sup>2</sup>			
10-30	±0.20	DRN BY venu	CHECKED BY SANTOSH	APPROVED BY DATE SUJESH	FILENAME Tt-1478	DATE 01-08-06	SCALE 3:1
30-100	±0.30	<b>TT</b>		8 MM FOLDED MALE TAB WITH LANCING			
100-300	±0.50	TERMINAL TECHNOLOGIES (I) PVT. LTD.		DRAWING_NUMBER	D/TT/328,R0	SHEET 1 OF 1	