

TERMINAL TO TERMINAL (FEMALE WITH MALE) (TT-1628 WITH 2.80 X 0.50 MALE)		
DESCRIPTION	AT 1ST INSERTION	AT 10TH WITHDRAWAL
PUSH LOAD MAX.	1.5 KG.MAX.FOR SINGLE TRML. 9 KG MAX. WITH 6 POLE COUPLER 12 KG MAX. WITH 9 POLE COUPLER 5 KG MAX. WITH 2 POLE COUPLER	
PULL LOAD MIN.		0.40 KG MIN. FOR SINGLE TRML. 1.50 KG MIN.FOR 6 POLE & 9POLE 0.8KG MIN.FOR 2 POLE
MAX. MV. DROP AT 4A	10 MV.	
MAX. MV. DROP AT 4A		15 MV.

DIMENSION CLASSIFICATION	
SYMBOL	DESCRIPTION
▲	CRITICAL

CAT. NO.	L	E	E1	E2	C1	C2	C3	I1	I2	I3	T	W	W1	W2	H	H1	H2	G	C	S	D	H3	W3	P	φd
TOLERANCE	+0.3	+0.15	+0.1	+0.5	+0.2	+0.2	+0.1	+0.2	+0.3	+0.1	+0.2	+0.1	+0.2	+0.2	+0.2	+0.1	+0.15	+0.2	+0.05	+0.2	+0.3	+0.3	+0.2	+0.05	+0.10
TT- 1628	15.5	7.00	4.10	4.50	2.50	2.50	3.20	4.10	3.10	1.40	0.25	4.10	2.60	1.75	1.90	2.70	3.75	0.60	0.15	0.07	0.50	19.8	2.80	13.0	2.00

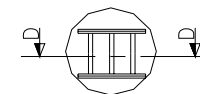
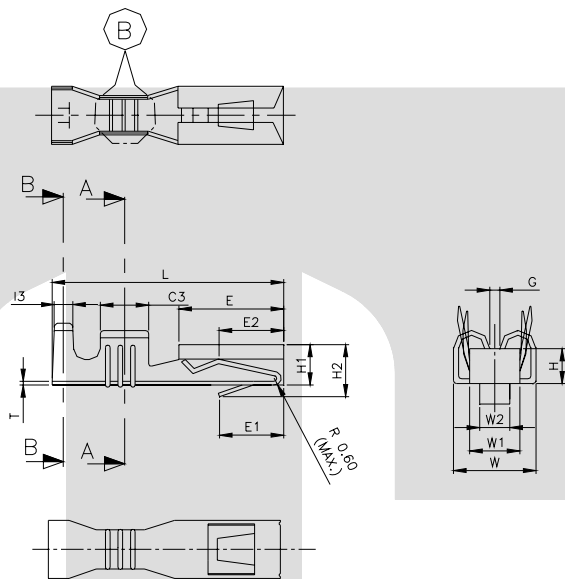
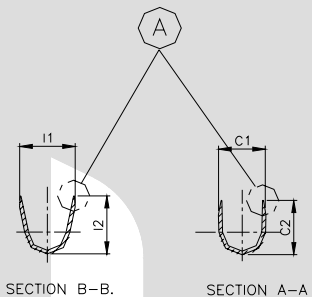
NOTES:-

MATERIAL	70/30 BRASS
FINISH	NATURAL
THICKNESS	0.25 ^{+0.02}
HARDNESS IN VPV	130 - 160

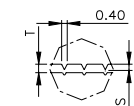
TT-1628

TERMINAL PITCH 13.0^{+0.05}/_{-0.05}

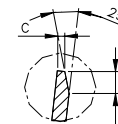
PLATING THICKNESS:- 1.50 MICRON MIN.IN CASE OF PLATING
TERMINAL INSERTION FORCE INTO COUPLER:- 2.00KG.MAX. ▲
TERMINAL WITHDRAWL FORCE INTO COUPLER:- 6.0 KG.MIN. ▲



DETAIL B



SECTION D-D



DETAIL A

**CONTROLLED COPY
TTPL**

01	--	PROFILE	CHANGED	08/12/05	AM	VENU	182
REV.NO.	AL. NO.	WAS	CHANGED TO	DATE	NAME	CHD.BY.	ECN. NO.
GEN TOL	CAT NO	TAB SIZE	CABLE SIZE	ALL DIMENSIONS ARE IN MM			
0-10 ±0.10	TT-1628	2.80 X 0.5	0.30 - 0.85mm ²				
10-30 ±0.20	DRN BY VENU	CHECKED BY SANTOSH	APPROVED_BY_DATE SUJESH	FILENAME T1-1628	DATE 09-09-04	SCALE 3:1	
30-100 ±0.30			FOLDED FEMALE TERMINAL				
100-300 ±0.50			TERMINAL TECHNOLOGIES (I) PVT. LTD.	DRAWING_NUMBER	D/TT/277.R01	SHEET 1 OF 1	

ISSUE NO-1/17-10-02