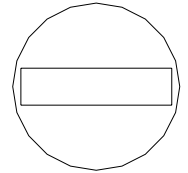
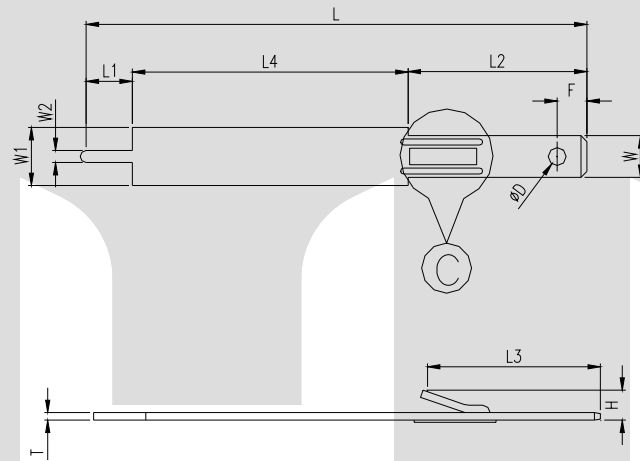


TERMINAL TO TERMINAL (MALE WITH FEMALE) (TT-1856 WITH 2.80 X 0.50mm FEMALE)		
DESCRIPTION	AT 1ST INSERTION	AT 10TH WITHDRAWAL
PUSH LOAD MAX.	N A	
PULL LOAD MIN.		N A
MAX. MV. DROP AT 4 A	N A	
MAX. MV. DROP AT 4A		N A

DIMENSION CLASSIFICATION	
SYMBOL	DESCRIPTION
▲	CRITICAL



DETAIL C

CAT. NO.	L	L1	L2	L3	L4	W	W1	W2	H	T	F	ØD
TOLERANCE	+0.3 -0.3	+0.0 -0.2	+0.15 -0.15	+0.1 -0.1	+0.1 -0.1	+0.05 -0.1	+0.1 -0.1	+0.0 -0.1	+0.1 -0.1	+0.02 -0.02	+0.1 -0.1	+0.1 -0.1
TT- 1856	34.0	3.50	12.0	11.9	18.5	2.80	3.90	0.90	2.00	0.50	2.00	1.20

CONTROLLED COPY
TTPL

NOTES:-

MATERIAL	70/30 BRASS
FINISH	NATURAL
THICKNESS	0.50 ^{+0.02}
HARDNESS IN VPN	130 - 150

TT-1856

TERMINAL PITCH $36.50^{+0.05}_{-0.05}$

PLATING THICKNESS:- 1.50 MICRON MIN. IN CASE OF PLATING
 TERMINAL INSERTION FORCE INTO COUPLER:- 1.50KG.MAX.
 TERMINAL WITHDRAWL FORCE INTO COUPLER:- 6.00.KG.MIN.

01	W2	$0.80^{+0.05}_{-0.10}$	$0.90^{+0.00}_{-0.10}$	26-6-03	PSB	PSB	21
REV.NO.	AL. NO.	WAS	CHANGED TO	DATE	NAME	CHD.BY.	ECN NO.
GEN.TOL.	CAT.NO	TAB SIZE	CABLE SIZE	ALL DIMENSIONS ARE IN MM			
0-10	TT-1856	2.8 x 0.50	N.A.				
10-30	DESIGNED BY	CHECKED BY	APPROVED_BY_DATE	FILENAME	DATE	SCALE	
	VENU	SANTOSH	SUJESH	Tt-1856	05-05-1999.	1:1	
30-100	TT			MALE TAB WITH LANCING			
100-300	TERMINAL TECHNOLOGIES (I) PVT. LTD.			DRAWING_NUMBER	D/TT/71R01	SHEET 1 OF 1	