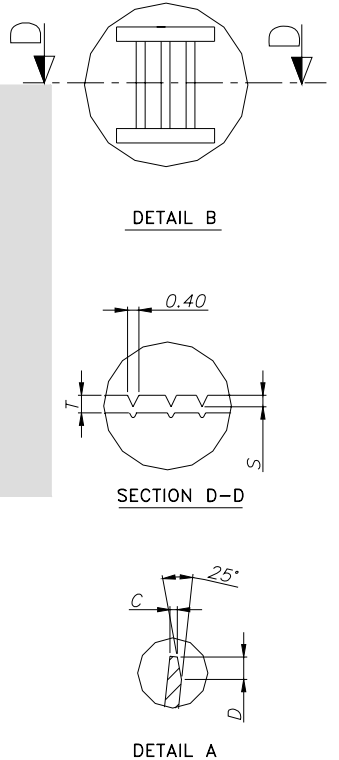
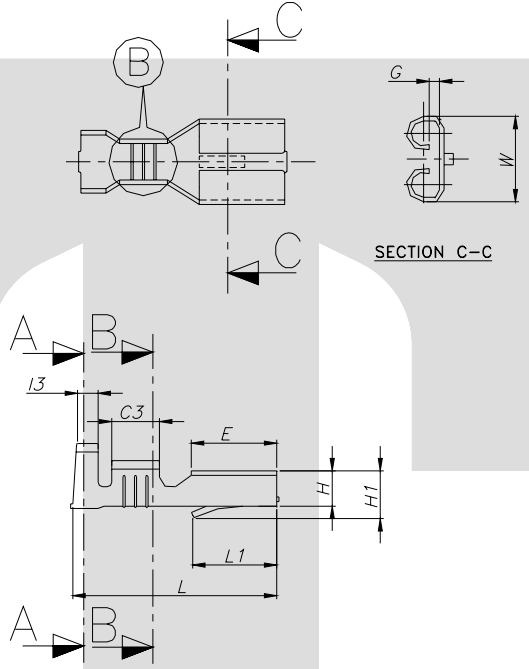
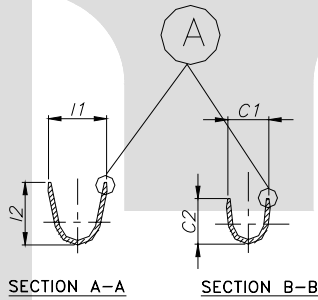


TERMINAL TO TERMINAL (FEMALE WITH MALE)
(TT-1864 WITH 4.80 X 0.80 MALE)

DESCRIPTION	AT 1ST INSERTION	AT 10TH WITHDRAWAL
PUSH LOAD MAX.	2.50 KG.	
PULL LOAD MIN.		0.80 KG.
MAX. MV. DROP AT 6A	10 MV.	
MAX. MV. DROP AT 6A		15 MV.

DIMENSION CLASSIFICATION	
SYMBOL	DESCRIPTION
▲	CRITICAL



CAT NO.	L	E	C1	C2	C3	I1	I2	I3	H	W	G	L1	H1	S	C	D	P	B
TOLERANCE	+0.3 -0.3	+0.1 -0.1	+0.2 -0.2	+0.3 -0.3	+0.1 -0.1	+0.2 -0.2	+0.3 -0.3	+0.1 -0.1	+0.1 -0.1	+0.1 -0.1	+0.05 -0.05	+0.1 -0.2	+0.2 -0.2	+0.2 -0.2	+0.1 -0.1	+0.3 -0.3	+0.05 -0.05	+0.00 -0.15
TT-1864	15.6	6.30	2.90	3.60	3.20	4.60	4.80	2.00	2.65	6.00	0.65	6.20	4.00	0.08	0.20	0.50	17.6	2.00

CONTROLLED COPY
TTPL

NOTES:-

MATERIAL	70/30 BRASS
FINISH	NATURAL
THICKNESS	0.32 ^{+0.02}
HARDNESS IN VPN	130 - 160

TT-1864

TERMINAL PITCH 17.60^{+0.05}/_{-0.05}

TERMINAL INSERTION FORCE INTO COUPLER:- 2.00 KG.MAX.
TERMINAL PULLOUT FORCE FROM COUPLER:- 6.00.KG.MIN. ▲

REV.NO.	AL. NO.	WAS	CHANGED TO	DATE	NAME	CHD.BY.
GEN TOL	CAT NO	TAB SIZE	CABLE SIZE	ALL DIMENSIONS ARE IN MM		
0-10 ±0.10	TT-1864	4.80 x 0.80	0.50-1.25 mm ²			
10-30 ±0.20	DRN BY	CHECKED BY	APPROVED_BY_DATE	FILENAME	DATE	SCALE
	VENU	SANTOSH	SUJESH	Tt-1864	09-07-2000	3:1
30-100 ±0.30				SNAP ON FEMALE WITH LANCING		
100-300 ±0.50				TERMINAL TECHNOLOGIES (I) PVT. LTD.	DRAWING_NUMBER	D/TT/58.R0