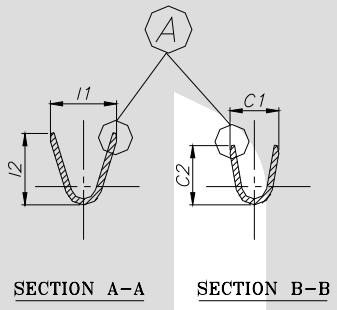
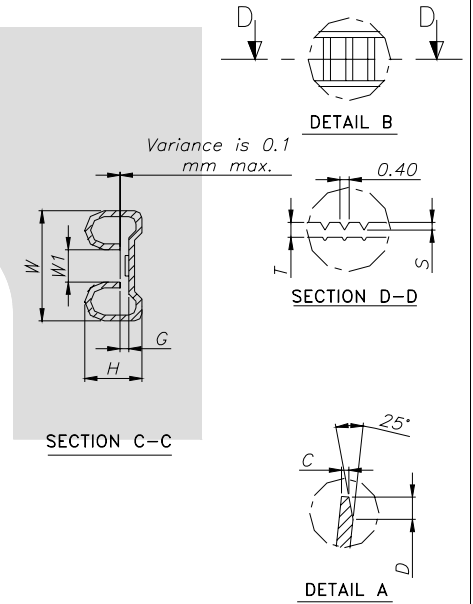
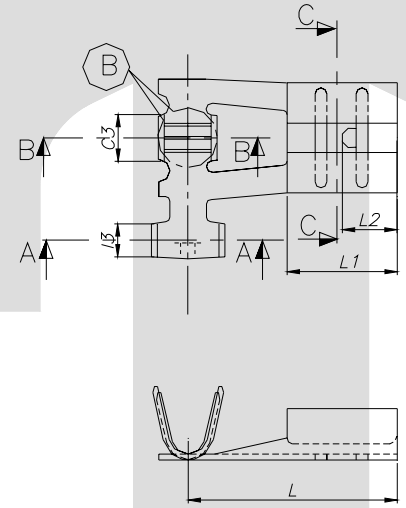


TERMINAL TO TERMINAL (FEMALE WITH MALE) ( TT-1881 WITH 6.30 X 0.80 MALE)		
DESCRIPTION	AT 1ST INSERTION	AT 10TH WITHDRAWAL
PUSH LOAD MAX.	5.0 kg.	
PULL LOAD MIN.		2.0 kg.
MAX. MV. DROP AT 10A	10 MV	
MAX. MV. DROP AT 10A		15 MV.



DIMENSION SYMBOL	CLASSIFICATION DESCRIPTION
▲	CRITICAL



**CONTROLLED COPY  
TTPL**

CAT. NO.	L	L1	L2	W	W1	G	H	CI	C2	C3	I1	I2	I3	S	C	D	P	T
TOLERANCE	+0.3 -0.3	+0.2 -0.2	+0.1 -0.1	+0.2 -0.1	+0.2 -0.2	+0.05 -0.05	+0.1 -0.1	+0.2 -0.2	+0.3 -0.3	+0.1 -0.1	+0.2 -0.2	+0.3 -0.3	+0.1 -0.1	+0.04 -0.04	+0.1 -0.1	+0.3 -0.3	+0.05 -0.05	+0.02 -0.02
TT- 1881	14.2	7.50	4.00	7.50	2.20	0.70	3.30	4.00	4.20	2.70	4.80	4.80	1.80	0.10	0.20	0.60	21.5	0.40

NOTES:-

MATERIAL	70/30 BRASS
FINISH	NATURAL
THICKNESS	0.40 <sup>+0.02</sup>
HARDNESS IN VPN	130 - 160

TT-1881

TERMINAL PITCH 21.50<sup>+0.05</sup>/<sub>-0.05</sub>  
 PLATING THICKNESS:- 1.50 MICRON MIN. IN CASE OF PLATING

01	P, T	--	NEW DIMENSION ADDED.	07/02/05	AM	PSB	126
REV. NO.	AL. NO.	WAS	CHANGED TO	DATE	NAME	CHD. BY.	ECN NO.
GEN TOL	CAT NO	TAB SIZE	CABLE SIZE	ALL DIMENSIONS ARE IN MM			
0-10 ±0.10	TT-1881	6.30 x 0.80	0.75 - 2.0 mm <sup>2</sup>				
10-30 ±0.20	DRN BY	CHECKED BY	APPROVED BY DATE	FILENAME	DATE	SCALE	
	VENU	SANTOSH	SUJESH	Tt-1881	1-10-2000	3.1	
30-100 ±0.30	<b>TT</b>			SIDE FLAG TERMINAL			
100-300 ±0.50	TERMINAL TECHNOLOGIES (I) PVT. LTD.			DRAWING_NUMBER	D/TT/34 R01	SHEET 1 OF 1	