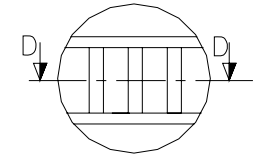
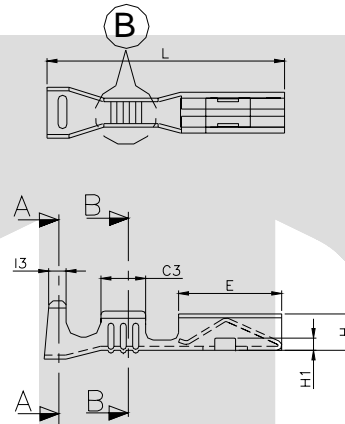
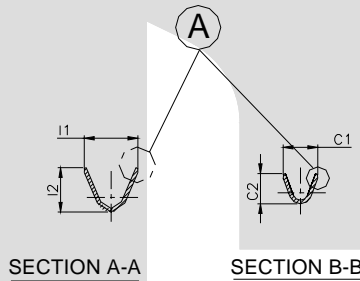
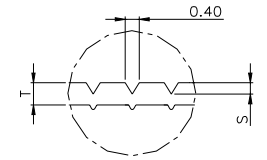


TERMINAL TO TERMINAL (MALE WITH FEMALE) ( 2.3 X 0.60 mm MALE WITH TT-1891 )		
DESCRIPTION	AT 1ST INSERTION	AT 10TH WITHDRAWAL
PUSH LOAD MAX.	1.5 K G FOR SINGLE	
PULL LOAD MIN.		0.40 KG
MAX. MV. DROP AT 4A	10 MV	
MAX. MV. DROP AT 4A		15 MV

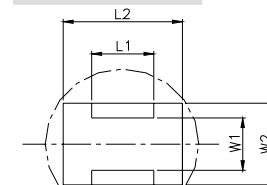
DIMENSION CLASSIFICATION	
SYMBOL	DESCRIPTION
▲	CRITICAL



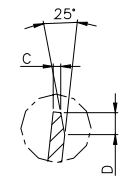
DETAIL B



SECTION D-D



DETAIL C



DETAIL A

CAT. NO.	L	L1	L2	E	H	H1	W	W1	W2	C1	C2	C3	I1	I2	I3	S	C	D	P	ød1	T
TOLERANCE	+0.3 -0.3	+0.3 -0.3	+0.3 -0.3	+1.15 -0.1	+0.05 -0.1	+0.2 -0.2	+0.2 -0.1	+0.1 -0.1	+0.1 -0.1	+0.2 -0.2	+0.3 -0.3	+0.1 -0.1	+0.2 -0.2	+0.3 -0.3	+0.1 -0.1	+0.2 -0.2	+0.05 -0.05	+0.3 -0.3	+0.05 -0.05	+0.1 -0.1	+0.02 -0.02
TT- 1891	16.0	1.50	3.00	7.00	2.50	0.80	2.90	1.50	2.30	2.80	2.90	3.00	5.00	4.30	1.30	0.07	0.15	0.50	10.5	1.50	0.25

NOTES:-

MATERIAL	70/30 BRASS
FINISH	NATURAL
THICKNESS	0.25 <sup>+0.02</sup>
HARDNESS IN VPN	130 - 160

TT-1891

**CONTROLLED COPY**  
**TTPL**

TERMINAL PITCH 10.50<sup>+0.05</sup>/<sub>-0.05</sub>

PLATING THICKNESS:- 1.50 MICRON MIN. IN CASE OF PLATING  
TERMINAL INSERTION FORCE INTO COUPLER:- 1.50KG. MAX.  
TERMINAL WITHDRAWL FORCE FROM COUPLER:- 6.00KG. MIN.

01	H	2.50 <sup>+0.1</sup> / <sub>-0.1</sub>	2.65 <sup>+0.10</sup> / <sub>-0.05</sub>	03/7/04	AM	BN	99
REV.NO.	AL. NO.	WAS	CHANGED TO	DATE	NAME	CHD.BY.	ECN NO.
GEN.TOL.	CAT NO	TAB SIZE	CABLE SIZE	ALL DIMENSIONS ARE IN MM			
0-10 ±0.10	TT-1891	2.3 X 0.60	0.5-1.25 mm <sup>2</sup>	MATERIAL BRASS 70/30 / PB			
10-30 ±0.20	DRN BY	CHECKED BY	APPROVED_BY_DATE	FILENAME	DATE	SCALE	
	VENU	SANTOSH	SUJESH	Tt-1891	11-03-2001	3:1	
30-100 ±0.30				2.3 FOLDED FEMALE			
100-300 ±0.50				TERMINAL TECHNOLOGIES (I) PVT. LTD.	DRAWING_NUMBER	D/TT/04.R01	SHEET

ISSUE NO-1/17-10-02