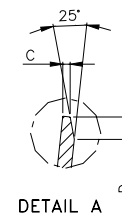
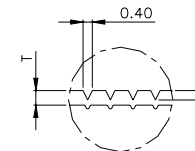
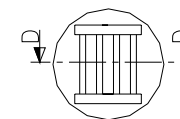
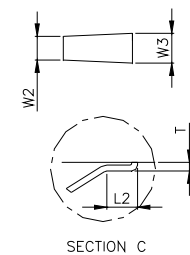
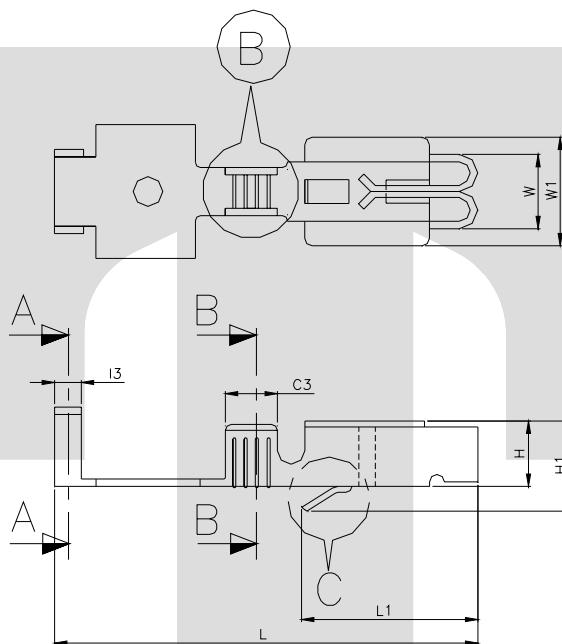
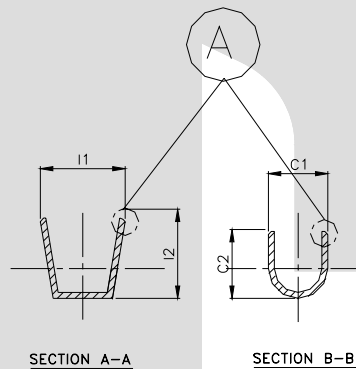


DESCRIPTION	AT 1ST INSERTION	AT 10TH WITHDRAWAL
PUSH LOAD MAX.	N A	
PULL LOAD MIN.		N A
MAX. MV. DROP	N A	
MAX. MV. DROP		N A

DIMENSION CLASSIFICATION	
SYMBOL	DESCRIPTION
▲	CRITICAL



CAT. NO.	L	L1	W	W1	H	H1	C1	C2	I1	I2	C3	I3	S	C	D	P	T	L2	W2	W3	$\phi d1$	W4	
TOLERANCE	▲0.30 ▲-0.30	▲0.20 ▲-0.20	▲0.20 ▲-0.20	▲0.10 ▲-0.20	▲0.10 ▲-0.20	▲0.15 ▲-0.20	▲0.30 ▲-0.30	▲0.30 ▲-0.30	▲0.30 ▲-0.30	▲0.10 ▲-0.30	▲0.10 ▲-0.10	▲0.10 ▲-0.10	▲0.04 ▲-0.04	▲0.05 ▲-0.05	▲0.30 ▲-0.30	▲0.05 ▲-0.05	▲0.05 ▲-0.10	▲0.20 ▲-0.20	▲0.20 ▲-0.20	▲0.10 ▲-0.10	▲0.10 ▲-0.10	▲0.10 ▲-0.10	
TT- 1921	28.20	11.50	05.20	06.50	04.50	06.00	03.50	03.50	05.50	04.65	03.60	01.60	00.10	00.30	00.50	12.25	0.40	1.50	1.60	2.00	2.00	2.00	6.40

CONTROLLED COPY
TTPL

NOTES:-

MATERIAL	70/30 BRASS
FINISH	NATURAL
THICKNESS	0.40 +0.02
HARDNESS IN VPN	115 - 135

TT-1921

TERMINAL PITCH 12.25 ^{+0.05}/_{-0.05}

PLATING THICKNESS:- 1.50 MICRON MIN.

INSERTION FORCE (TERMINAL TO COUPLER) :-2.5 KG MAX.

WITHDRAWL FORCE (TERMINAL TO COUPLER):- 6.0 KG MIN.

01	No. of Serrations	3	4	13/12/04	AM	BN	115
REV.NO.	AL. NO.	WAS	CHANGED TO	DATE	NAME	CHD.BY.	ECN NO.
GEN.TOL.	CAT.NO.	TAB SIZE	CABLE SIZE	ALL DIMENSIONS ARE IN MM			
0-10	TT-1921	NA	0.75 -1.5 mm ²				
10-30	DRN BY VENU	CHECKED BY SANTOSH	APPROVED_BY_DATE SUJESH	FILENAME Tt-1921	DATE 01-01-2000.	SCALE 3:1	
30-100	TT			FUSE TERMINAL			
100-300	TERMINAL TECHNOLOGIES (I) PVT. LTD.			DRAWING_NUMBER	D/TT/135.R01	SHEET 1 OF 1	