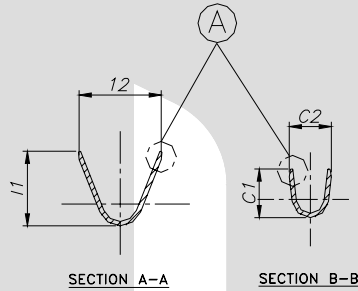
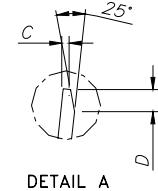
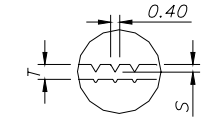
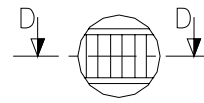
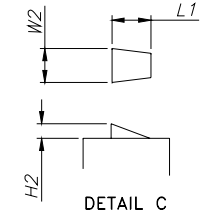
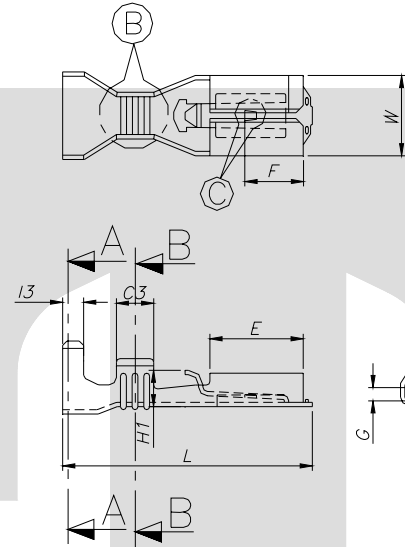


TERMINAL TO TERMINAL (FEMALE WITH MALE)  
(TT-1983 WITH 4.80 X 0.80 MALE)

DESCRIPTION	AT 1ST INSERTION	AT 10TH WITHDRAWAL
PUSH LOAD MAX.	2.50 KG.	
PULL LOAD MIN.		6.5KG
MAX. MV. DROP AT 6A	10 MV.	
MAX. MV. DROP AT 6A		15 MV



DIMENSION CLASSIFICATION	
SYMBOL	DESCRIPTION
▲	CRITICAL



CAT. NO.	L	E	W	W1	H	H1	F	G	C1	C2	C3	I1	I2	I3	T	D	C	S	L1	W2	H2	P	B
TOLERANCE	+0.3 -0.3	+0.1 -0.1	+0.1 -0.1	+0.1 -0.1	+0.1 -0.05	+0.3 -0.2	+0.1 -0.1	+0.05 -0.05	+0.2 -0.2	+0.3 -0.3	+0.1 -0.1	+0.2 -0.2	+0.3 -0.3	+0.1 -0.1	+0.02 -0.02	+0.2 -0.2	+0.05 -0.05	+0.02 -0.02	+0.05 -0.05	+0.05 -0.05	+0.05 -0.00	+0.05 -0.05	+0.00 -0.15
TT- 1983	17.0	6.50	5.70	1.80	2.30	2.75	3.50	0.70	3.00	2.70	2.50	4.50	3.70	1.60	0.32	0.40	0.15	0.08	0.90	0.75	0.40	18.5	1.50

**CONTROLLED COPY  
TTPL**

NOTES:-

MATERIAL	70/30 BRASS
FINISH	NATURAL
THICKNESS	0.32 <sup>+0.02</sup>
HARDNESS IN VPN	130 - 160

TT-1983

TERMINAL PITCH  $18.50^{+0.05}_{-0.05}$

PLATING THICKNESS:- 1.50 MICRON MIN.IN CASE OF PLATING  
DESTRUCTIVE TEST OF TERMINAL :- 6.50 KG.(MIN.) ▲

02	MV Drop	Max. MV. DROP AT 10A	Max. MV. DROP AT 6A	17-08-07	VENU	SAMPADA	198
02	Tab Size	4.8 x 0.50	4.8 x 0.80	17-08-07	VENU	SAMPADA	198
01	W,H,I1	W(5.5+/-0.1),H(2.5+/-0.1),I1(4.7+/-0.2)	W(5.7+/-0.1),H(2.3+0.1/-0.05),I1(4.5+/-0.2)	17-05-07	VENU	SAMPADA	195
REV.NO.	AL. NO.	WAS	CHANGED TO	DATE	NAME	CHD.BY.	ECN. NO.
GEN TOL.	CAT NO.	TAB SIZE	CABLE SIZE	ALL DIMENSIONS ARE IN MM			AS PER DWG.
0-10	±0.10	TT-1983	4.80 X 0.80	0.50-1.50 MM <sup>2</sup>			REFERENCE
10-30	±0.20	DRN BY	CHECKED BY	APPROVED BY DATE	FILENAME	DATE	SCALE
		VENU	SANTOSH	SUJESH	TT-1983	4-9-03	3:1
30-100	±0.30				4.80 FEMALE WITH POSITIVE LOCK		
100-300	±0.50				TERMINAL TECHNOLOGIES (I) PVT. LTD.	DRAWING_NUMBER	D/TT/211R2